

# Reversible flow choke manifold

 BRI Cleanup

## Technical Specification



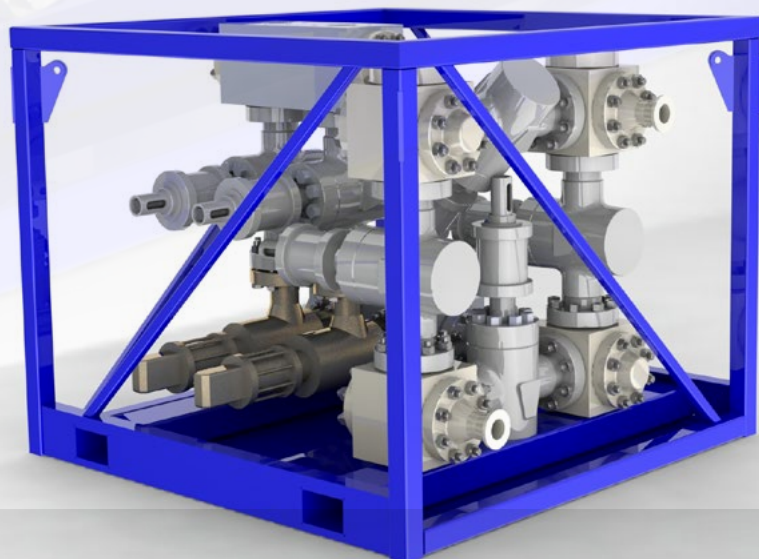
This compact piece of technology from BRI Cleanup offers several advantages for installations with limited space.

### Features:

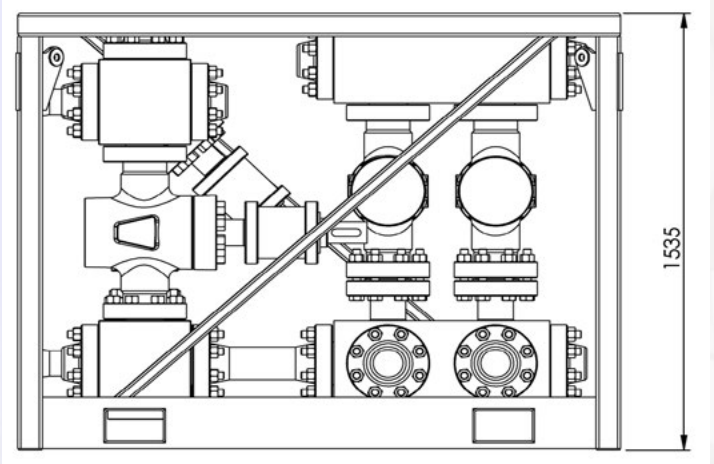
- Flow through the manifold can be reversed, which means wells from header A can be routed to header B and the other way around (all this by just operating valves)
- The footprint is only 1.96\*1.96 meters, allowing it to be lowered down through a standard deck hatch
- All remotely operated
- High flow capacity with 3 1/16" bore all the way through
- Can be equipped with additional features such as flowmeters and chemical injection points within the frame

### Specifications:

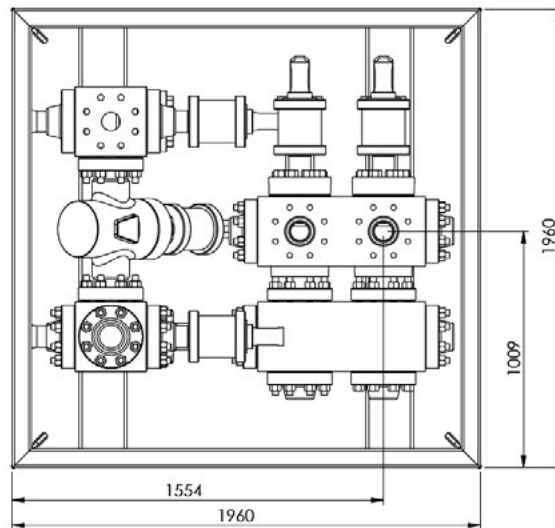
- Weight: 2000kg
- Size: 3 1/16"
- Pressure: 690Bar- 10k PSI
- Flow Capacity: 0- 2500l/min
- Reversible flow capability
- Dual MasterFlo P2E Chokes
- Actuated Anson Gate Valves



Side view



Top view



PID

